

CPT-156A-MSCBZ01

15.6"Android AIO computer

Feature



- Top quality industrial components and modular design
- Powerful CPU processor, support multi-threaded
- Industrial motherboard and professional CPU, anti-interference performance
- High degree of intelligence, to achieve smart factory management
- Support multiple operating systems Environments for flexibility in development



J4125 2.0 GHz Quad-core



IP 65 rating



Variable Extension



7*24H stable operation



Quiet cooling design



Wide Temp & Wide voltage adaption

Product Specifications

Display Parameters		Functional Parameters	
Size	15.6 inches	Touch type	Capacitive (resistance touch optional)
Resolution	1920*1080	Touch Interface	USB agreement
Brightness	250 cd/m2	Touch method	Finger/Capacitive pen
Contrast Ratio	3000:1	Touch Points	10 Points
Color Depth	16.7M	Keypad Durability	5,000,000 cycles
Visual Angle	89/89/89/89 (Typ.)(CR≥10)	Working Hours	≥7H
Display area	344.16 (W) * 193.59 (H)mm	Surface Treatment	Chemical Strengthened Glass

System Specifications

CPU	RK3568, Quad-core, Cortex-A55, Main frequency 2.00GHz
Memory	2G DDR (4G/8G optional)
Storage	16G EMMC (Expandable to 32G/64G/128G)
Operating System	default Android 11(Linux/Ubuntu/Debian/Kylin/Harmony)
Network	10M/100M/1000M self-adaptive WIFI 2.4G(WIFI 5G optional)

IO Ports

DC Power 1	1×DC12V/5521 standard interface	SIM card	1×SIM card slot
DC Power 2	1×wide voltage 9~36V jacket (optional)	COM	2×RS232
HDMI	1×HDMI	Audio	1×3.5mm audio output
USB	2×USB3.0 / 1×USB2.0	Wi-Fi/BT	1×Wi-Fi 2.4G+5G/BT antenna
Network	1×1000M Ethernet		

Integrated Configuration Modules

Camera Module	Image sensor: 200W pixels (500W/800W optional), viewing angle: 72.5°
RFID Module	Reading frequency: 125KHz low frequency/13.56MHz high frequency
Barcode Scanning Module	Scan type: 1D/2D; scanning distance: 0~10 cm

Environmental Parameters

Vibration Resistance	519Hz/10mm displacement, 19200Hz/1.0g acceleration	Operating Temperature	-10°C ~ 60°C
Shock Resistance	10g acceleration, 11ms duration	Storage Temperature	-20°C ~ 70°C
Back light Life	500,000 hour	Operating Humidity	≤95% non-condensing
Protection Level	Front panel IP65	Power	≈ 20W

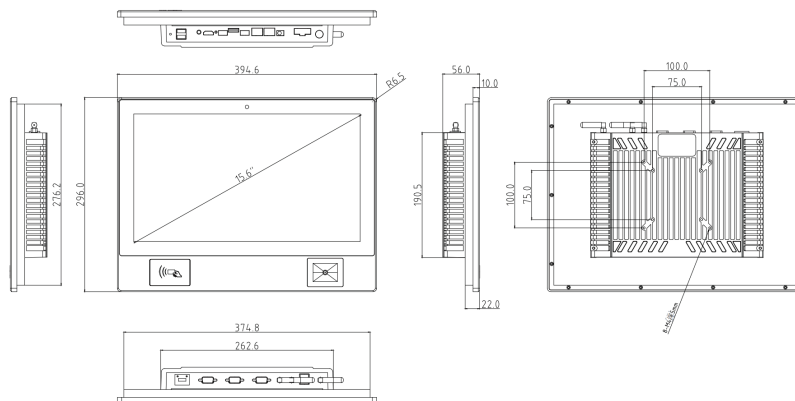
Physical Properties

External Dimensions	254.22×225.1×56.05mm	Material	High-quality aluminum alloy body with sheet metal construction
VESA Mount	75×75mm	Mounting Method	Wall-mounted /embedded/Desktop
Package size		Weight	

Included Accessories

Power Supply	1×power adapter	Certification	1×production certification
Cable	1×power cable 1.2M (12V 5A)	Warranty Card	1×warranty card

Dimension



Procurement Info

Model	CPT-156A-MSCBZ01
Describe	15.6 inches Android AIO computer/Wall-mounted/Silver/Capacitive Touch/1920×1080/2G+16G/2×RS232/2×USB