
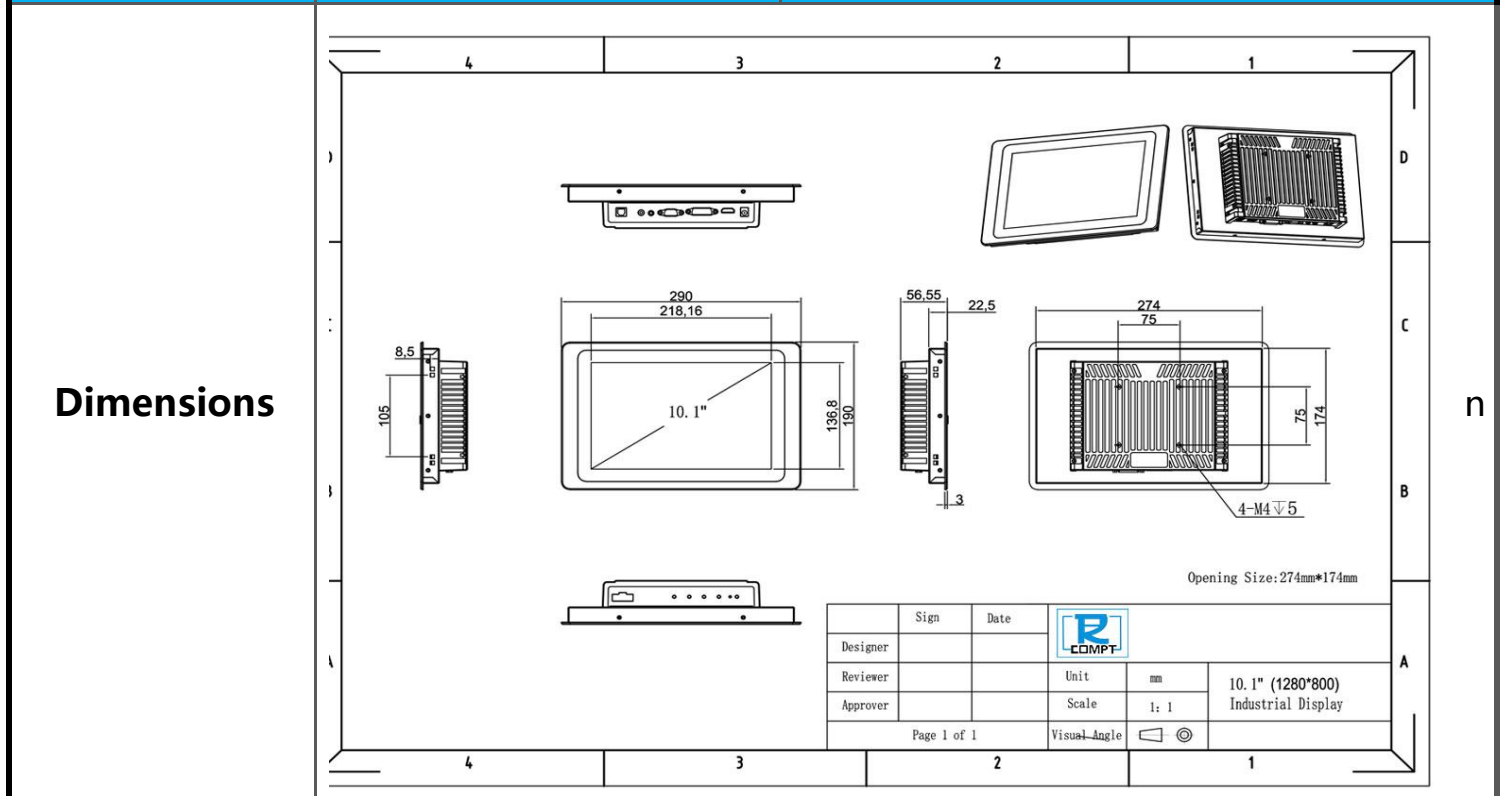


SPEC

Brand	 COMPT	
Name	X86 AIO computer	
Display	Screen size	10.1inches
	Resolution	1280*800
	Brightness	320 cd/m2
	Colour	16.7M
	Ratio	1000:1
	visual Angle	80/80/80/80 (Typ.)(CR≥10)
	Display area	216.96(W)×135.6(H) mm
Touch Feature	Type	Capactive
	Touch life	> 50 million
	Surface hardness	> 7H
	Touch strength	45g
	Glass type	Chemically enhanced plexiglass
	VLT	above 85%
Feature	Power adapter	12V/4A external power adapter
	Power supply	100-240V, 50-60HZ
	VAC	DC/12V
	ESD	4KV-8KV
	Power consume	≤15W
	Anti-vibration	GB242 standard
	Anti-interference	EMC EMI
	Water proof Dust proof	Surface IP65
	Colour	Black
	Temp	Function: -10-60°C, storage: -20-70°C
	Humidity	≤95%
	language menu	Chinese, English, German, French, Korean,
	Installation	Embedded/Wallmounted/Foldable stand/Cantilever mounting
	Warranty	12 month
	Maintenance	Post
I/O	DC 1	1*DC12V/5521
	DC 2	1*DC9V-36V/5.08mm (Optional)
	Touch interface	1*USB-B
	VGA	1*VGA IN
	HDMI	1*HDMI IN

	DVI	1*DVI IN
	PC AUDIO	1*PC AUDIO
	EARPHONE	1*3.5MM
Packing list	N.W.	1.25KG
	G.W.	2.35KG
	Dimension	290*190*56.55mm
	installation frame size	274*174mm
	Carton dimension	371*310*125
	Power cable	1*Power cable1.2M
	Power adapter	1*Power adapter1.2M
	QC Certificate	1*QC certificate
	Warranty	1*Warranty



GuangDong Computer Intelligent Display Co., Ltd.

Penny zhao

Email: zhaopei@gdcompt.com

<https://www.gdcompt.com>

No. 69 Zhangqi Road, Guixiang Community, Guanlan Street, Longhua District, Shenzhen, China