

# CPT-080P-ZSCBZ01

# 8"X86 AIO Computer

## Feature



- EMC Anti-Electromagnetic Interference Standards
- Support high performance temp&voltage customize
- Seamless Full-Screen Panel
- 10-Point Capacitive Touch with Fast, Accurate Response
- Energy Efficient for Continuous Operation



J4125 2.0GHz



IP65 water proof&dust proof



Various interface



7\*24H stable function



Muted heat dissipation design



Width temp&voltage function

## SPEC

Screen Parameters		Touch Parameters	
Size	8"	Touch type	Capacitive (resistance touch optional)
Resolution	1024*768	Communication Interface	USB agreement
Brightness	300cd/m <sup>2</sup>	Touch method	Finger/Capacitive pen
Contrast Ratio	1000:1	Touch Durability	≥ 50 million touches
Color	16.2M	Transmittance	>87%
Active Display Area	85/85/85/85 (Typ.)(CR≥10)	Glass Hardness	> 7H
Viewing Angle	163.28(W)x122.80(H)	Glass Material	Chemically tempered glass

## OS SPEC

CPU	Intel J4125, Quad-core, 2.00GHz, Burst Frequency 2.7GHz
Memory	4GB DDR4 (supports up to 8GB)
Storage	64GB SSD (Optional: 128GB/256GB/512GB)
Operating System	Default Windows 10 (Optional: Windows 11/Linux/Ubuntu)
Dual Gigabit Ethernet	8111H+8111H

## I/O Interfaces

Power Input 1	1×DC12V/5525 standard interface	VGA	1×VGA
Power Input 2	1×wide voltage 9~36V jacket (optional)	HDMI	1×HDMI
USB	2×USB3.0、2×USB2.0	WIFI	1×WIFI2.4G+5G
COM	2×RS232	BT	1×Bluetooth antenna
LAN Ports	2×10/100/1000M	Audio	1×3.5mm audio output

## Environmental Parameters

Vibration Resistance	5-19Hz/1.0mm Amplitude 19-200Hz/1.0g Acceleration	Operating Temperature	-10°C ~ 60°C
Shock Resistance	10g Acceleration, 11ms Cycle	Storage Temperature	-20°C ~ 70°C
Backlight Lifespan	50000h	Operating Humidity	≤95% (Non-condensing)
Protection degree	Front panel IP65	Power Consumption	≈40W

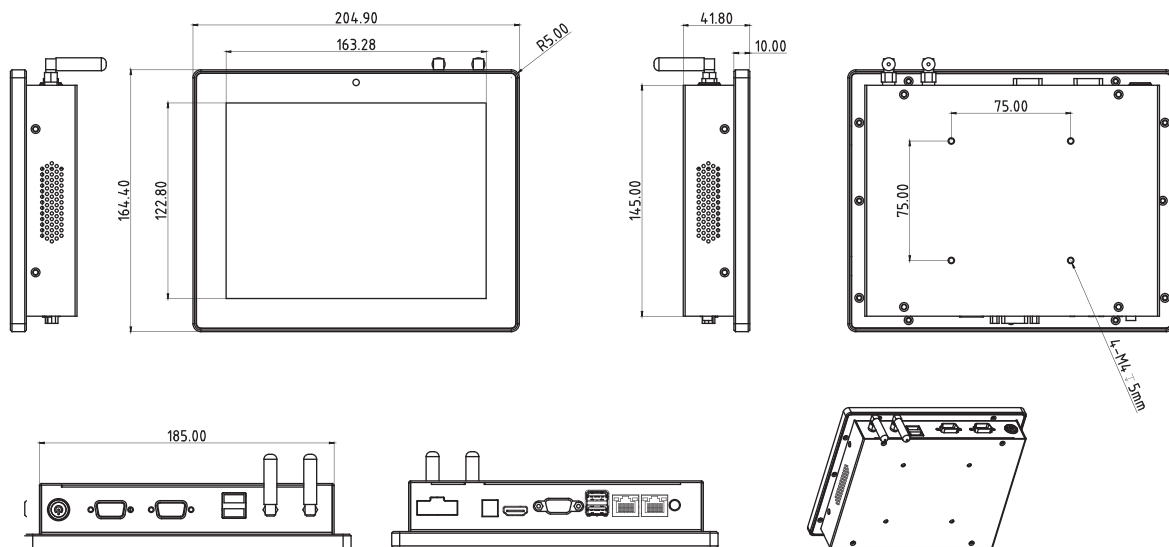
## Physical Characteristics

Dimensions	204.9*164.4*41.8mm	Material	High-quality aluminum alloy body plus sheet metal structure
Opening Dimensions	75*75mm	Installation Methods	Wall-mounted/desktop/folding base/cantilever installation
Packing dimension		Weight	

## Accessories list

Power cord	1*power cord 1.2M	Certificate of conformity	1*Certificate of conformity
Adapter	1*power adapter 1.2M (12V 4A)	Warranty card	1*warranty card

## Technical drawing



## Purchase Information

Product model	CPT-080P-ZSCBZ01
Product Description	8" X86 All-in-One Computer/wall-mounted/Silver/Capacitive Touch/Normal Temperature And Brightness/1024*768/YS-J4125-4G+64G/2*RS232/2*USB