

# CPT-070A-ZSCBZ01

# 7"Android All-in-One Computer

## Product Feature



- Industrial aesthetic design, stylish and simple appearance, independent mold opening
- High-precision die-cast aluminum molding, efficient heat dissipation process
- Comply with EMC anti-electromagnetic interference standards
- Industrial-grade quality, suitable for a variety of harsh environments



## Product specifications

Screen parameters		Touch parameters	
size	7 ''	Touch type	Capacitive touch (optional non-touch)
Resolution	1024*600	Communication interface	USB communication
Brightness	350cd/m <sup>2</sup>	Touch method	Finger/capacitive pen
Contrast ratio	500:1	Number of clicks	≥50 million times
Color	16.2M	Transmittance	>87%
Viewing angle	85/85/85/85 (Typ.)(CR≥10)	Glass hardness	> 7H
Display area	154.2144(H)x85.92(V)	Glass material	Tamper glass

## System specification

CPU	RK3568, quad-core 64-bit Cortex-A55, main frequency up to 2.0GHz
RAM	2G DDR(4G/8G optional)
Hard Disc	16G EMMC (32G/64G/128G optional)
Operating system	Default Android 11 (optional Linux, Ubuntu, Debian, Kylin, Harmony)Network
Network	10M/100M1000M adaptive WIFI2.4G (WIFI5.0 optional)

## I/O

DC Power 1	1-DC12W5521 standard plug-in library	HDMI	1*HDMI
DC Power 2	1*wide voltage power supply 9-36V industrial terminal (optional)	WIFI/BT	1*WIFI/BLE antenna
USB	1*USB3.0、1*USB2.0	Audio	1*3.5mm audio output
COM	2*RS232	SIM CARD SLOT	1*SIM card holder (available with 4G module)
Lan port	1*1000M adaptive Ethernet	TF CARD SLOT	1*TF card slot

## Environmental parameters

Vibration resistance	5-19Hz/1.0mm amplitude 19-200Hz/10g) acceleration	Working temperature	-10°C ~ 60°C
Shock resistance	10g acceleration, 11ms cycle	Storage temperature	-20°C ~ 70°C
Backlight life	50000h	HUMID	≤95% non-condensing
Protection level	Front panel IP65	Power consumption	≤15W

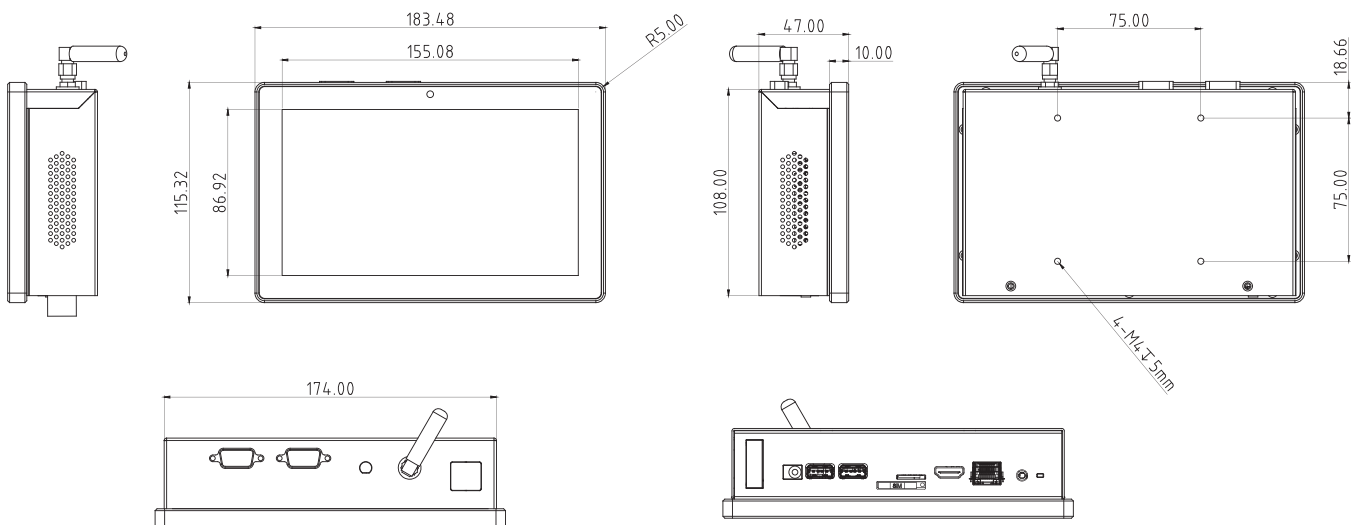
## Physical Characteristic

Product size	183.48*115.32*47mm	Material	High-quality aluminum alloy body plus sheet metal structure
Cutout size	75*75mm	Installation	Wall-mounted/desktop/folding base/cantilever installation
Packing size		Weight	

## Accessories list

Power cord	1*power cord 1.2M	Certificate of conformity	1*Certificate of conformity
Adapter	1*power adapter 1.2M (12V 4A)	Warranty card	1*warranty card

## Technical drawing



## Purchase Information

Product model	CPT-070A-ZSCBZ01
Product Description	7 inch Android machine/wall-mounted/silver/capacitive touch/normal temperature and brightness/1024*600/2G+16G/2*RS232 expansion/2*USB expansion