

# CPT-190M-NBCBZ01 19" Industrial Display

## Feature



- Compliant with EMC anti electromagnetic interference standards
- Support high-performance wide temperature and wide pressure customization
- Seamless full screen panel, IP65 dustproof and waterproof
- Energy saving and low consumption, 24-hour uninterrupted stable operation
- Capacitive 10 point touch, fast and accurate response operation



## SPEC

Screen Parameters		Touch Parameters	
Size	19 "	Touch type	Capactive (resistance touch optional)
Resolution	1280*1024	Communication Interface	USB agreement
Brightness	250 cd/m2	Touch method	Finger/Capactive pen
Contrast Ratio	1000:1	Touch Durability	≥ 50 million touches
Color	16.7M	Transmittance	>87%
Active Display Area	85/85/80/80 (Typ.)(CR≥10)	Glass Hardness	> 7H
Viewing Angle	377.32(W)×302.06(H) mm	Glass Material	Chemically tempered glass

## IO

Power Input 1	1*DC12V/5521 Socket	HDMI	1*HDMI IN
Power Input 2	1*DC9V-36V/5.08mm	VGA	1*VGA IN
Touch Interface	1*USB-B Interface		

## Environmental Parameters

Vibration resistance	5-19Hz/1.0mm amplitude 19-200Hz/10g) acceleration	Working temperature	-10°C ~ 60°C
Shock resistance	10g acceleration, 11ms cycle	Storage temperature	-20°C ~ 70°C
Backlight life	50000h	HUMID	≤95% non-condensing
Protection level	Front panel IP65	Power consumption	≈ 25W

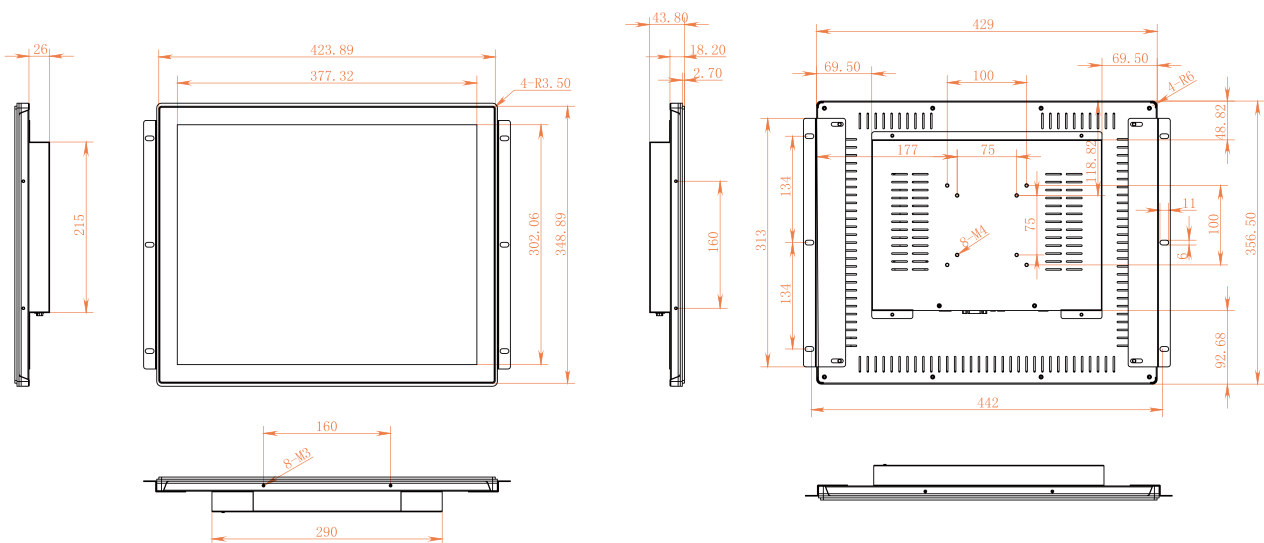
## Physical Characteristics

Dimensions	429*356.5*43.8mm	Material	High-quality Aluminum Alloy Body with Metal Structure
Opening Dimensions	423.89*348.89/R3.5mm	Installation Methods	Embedded / Wall-mounted / Foldable Stand / Arm-mounted
Packing dimension	520.5*130*440.8mm	Weight	

## Accessories list

Power cord	1*Power Cord 1.2M	Certificate of conformity	1*Certificate of Conformity
Adapter	1*Adapter 1.2M (12V 4A)	Warranty card	1*Warranty Card
Embedded border strip	2 * Embedded installation edge strip+screws	VGA	1*VGA

## Technical drawing



## Order Information

Product Model	CPT-190M-NBCBZ01
Product Description	19" Industrial Display/Embedded/Black/Capacitive touch/1280*1024