

Product Feature



- Compliant with EMC anti electromagnetic interference standards
- Support high-performance wide temperature and wide pressure customization
- Seamless full screen panel, IP65 dustproof and waterproof
- Energy saving and low consumption, 24-hour uninterrupted stable operation
- Capacitive 10 point touch, fast and accurate response operation



RK3568 2.0GHz

IP65 water proof&dust proof

Various interface

7*24H stable function

Silent cooling design

Wide temperature and wide pressure work

Product specifications

| Screen parameters | | Touch parameters | |
|-------------------|---------------------------|-------------------------|---------------------------------------|
| size | 10.1" | Touch type | Capacitive touch (optional non-touch) |
| Resolution | 1280*800 | Communication interface | USB communication |
| Brightness | 320 cd/m2 | Touch method | Finger/capacitive pen |
| Contrast ratio | 1000:1 | Number of clicks | ≥ 50 million times |
| Color | 16.7M | Transmittance | >87% |
| Viewing angle | 80/80/80/80 (Typ.)(CR≥10) | Glass hardness | > 7H |
| Display area | 218.16(W)×136.8(H) mm | Glass material | Tamper glass |

System specification

| | |
|------------------|--|
| CPU | RK3568, quad-core 64-bit Cortex-A55, main frequency up to 2.0GHz |
| RAM | 2G DDR(4G/8G optional) |
| Hard Disc | 16G EMMC (32G/64G/128G optional) |
| Operating system | Default Android 11 (optional Linux, Ubuntu, Debian, Kylin, Harmony)Network |
| Network | 10M/100M1000M adaptive WIFI2.4G (WIFI5.0 optional) |

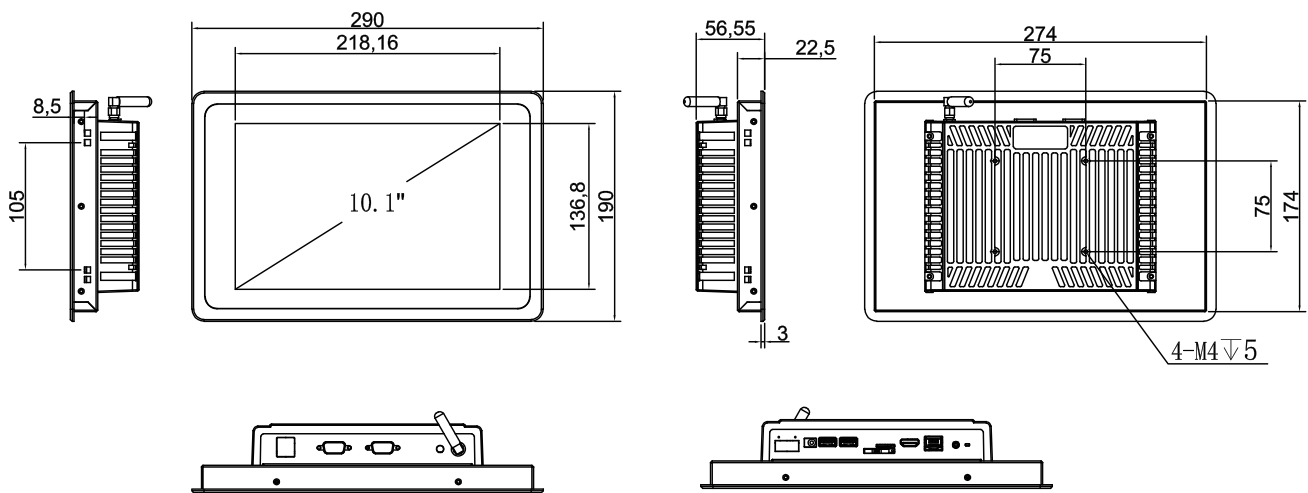
| I/O | | | |
|------------|--|---------------|---------------------------|
| DC Power 1 | 1-DC12W5521 standard plug-in library | Lan port | 1*1000M adaptive Ethernet |
| DC Power 2 | 1*wide voltage power supply 9-36V industrial terminal (optional) | SIM CARD SLOT | 1*SIM card holder |
| HDMI | 1*HDMI | COM | 2*RS232 |
| TF | 1*TF card slot | Audio | 1*3.5mm audio output |
| USB | 1*USB3.0 / 1*USB2.0 | WIFI/BT | 1*WIFI/BLE antenna |

| Environmental Parameters | | | |
|--------------------------|--|---------------------|---------------------|
| Vibration resistance | 5-19Hz/1.0mm amplitude 19-200Hz/10g acceleration | Working temperature | -10°C ~ 60°C |
| Shock resistance | 10g acceleration, 11ms cycle | Storage temperature | -20°C ~ 70°C |
| Backlight life | 50000h | HUMID | ≤95% non-condensing |
| Protection level | Front panel IP65 | Power consumption | ≈ 15W |

| Physical Characteristic | | | |
|-------------------------|-----------------|--------------|--|
| Product size | 290*190*56.55mm | Material | High-quality Aluminum Alloy Body with Metal Structure |
| Cutout size | 274*174mm | Installation | Embedded / Wall-mounted / Foldable Stand / Arm-mounted |
| Packing size | | Weight | |

| Accessories list | | | |
|------------------|-------------------------------|---------------------------|-----------------------------|
| Power cord | 1*power cord 1.2M | Certificate of conformity | 1*Certificate of conformity |
| Adapter | 1*power adapter 1.2M (12V 4A) | Warranty card | 1*warranty card |

Technical drawing



| Purchase Information | |
|----------------------|---|
| Product model | CPT-101A-KBCBZ01 |
| Product Description | 10.1 inch Android machine/Embedded/Black/Capacitive touch/normal temperature and brightness/1024*600/2G+16G/2*RS232/2*USB |