

# CPT-185M-ZSCBZ01

# 18.5" Industrial Display

## Feature



- EMC Anti-Electromagnetic Interference Standards
- Support high performance temp&voltage customize
- Seamless Full-Screen Panel
- 10-Point Capacitive Touch with Fast, Accurate Response
- Energy Efficient for Continuous Operation



## SPEC

Screen Parameters		Touch Parameters	
Size	18.5"	Touch type	Capacitive (resistance touch optional)
Resolution	1920*1080	Communication Interface	USB agreement
Brightness	300 cd/m2	Touch method	Finger/Capacitive pen
Contrast Ratio	1000:1	Touch Durability	≥50 million touches
Color	16.7M	Transmittance	>87%
Active Display Area	89/89/89/89(Typ.)(CR≥10)	Glass Hardness	> 7H
Viewing Angle	411.6(W) *232.2 (H)mm	Glass Material	Chemically tempered glass

## I/O Interfaces

Power Input 1	1*DC12V/5521 Socket	HDMI	1*HDMI IN
Power Input 2	1*Wide Voltage 9~36V Jacket (Optional)	DVI	1*DVI IN
Touch Interface	1*USB-B Interface	PC AUDIO	1*PC AUDIO
VGA	1*VGA IN	EARPHONE	1*Headset

## Environmental Parameters

Vibration Resistance	GB242 Standard	Operating Temperature	-10°C ~ 60°C
Shock Resistance	EMC EMI Anti-Electromagnetic Interference	Storage Temperature	-20°C ~ 70°C
Backlight Lifespan	50000h	Operating Humidity	≤95% (Non-condensing)
Protection degree	Front panel IP65	Power Consumption	≈20W

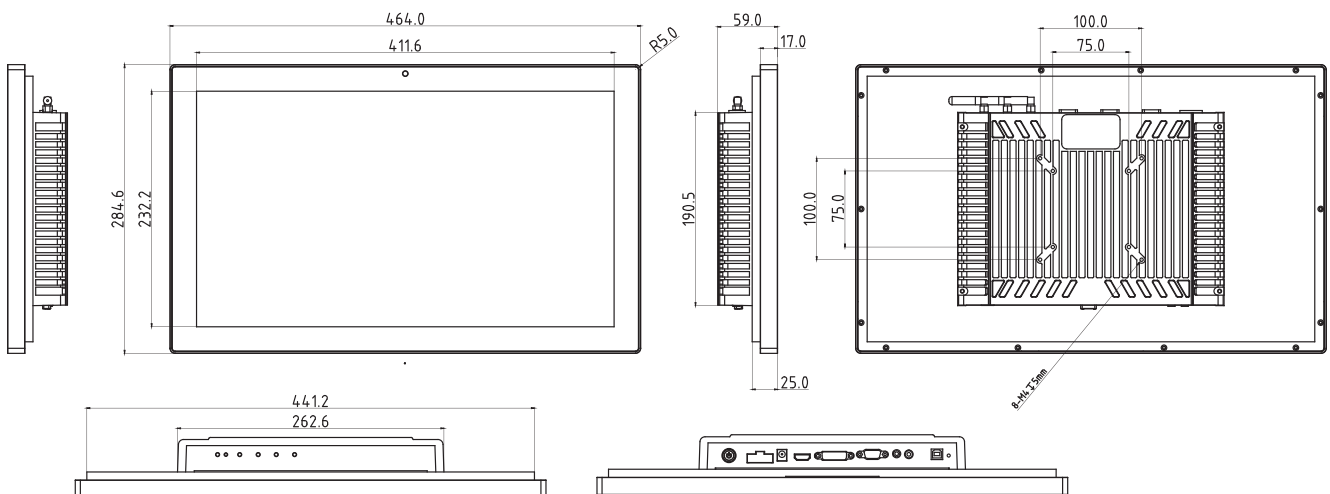
## Physical Characteristics

Dimensions	464*284.6*59mm	Material	High-quality aluminum alloy body plus sheet metal structure
Opening Dimensions	75*75mm	Installation Methods	Wall-mounted/desktop/folding base/cantilever installation
Packing dimension		Weight	

## Accessories list

Power cord	1*power cord 1.2M	Certificate of conformity	1*Certificate of conformity
Adapter	1*power adapter 1.2M (12V 4A)	Warranty card	1*warranty card

## Technical drawing



## Purchase Information

Product model	CPT-185M-ZSCBZ01
Product Description	18.5" Industrial Display/Wall-Mounted/Silver/Capacitive Touch/Normal Temperature And Brightness/1920*1080