

# CPT-150P-KBCBZ01 15"X86 All-in-One Computer

## Product Features



- EMC Anti-Electromagnetic Interference Standards
- Support high performance temp&voltage customize
- Seamless Full-Screen Panel
- 10-Point Capacitive Touch with Fast, Accurate Response
- Energy Efficient for Continuous Operation



J4125 2.0GHz quad core



IP65 water proof&dust proof



Various interface



7\*24H stable function



Muted heat dissipation design



Width temp&voltage function

## SPEC

Screen Parameters		Touch Parameters	
Size	15 inches	Communication Interface	USB
Resolution	1024*768	Touch type	Capactive
Brightness	350 cd/m2	Touch Method	Finger/Capactive Pen
Color	1000:1	Touch Durability	≥ 50 million touches
Contrast Ratio	16.7M	Transparency	>87%
Active Display Area	89/89/89/89 (Typ.)(CR≥10)	Glass Hardness	≥ 7H
Viewing Angle	305.18(W) × 229.1(H)mm	Glass Material	Chemically tempered glass

## OS SPEC

CPU	Integrated Intel® Celeron J4125 2.0GHz Quad-Core
Memory	4GB DDR4 (supports up to 8GB)
Storage	64GB SSD (Optional: 128GB/256GB/512GB)
Operating System	Default Windows 10 (Optional: Windows 11/Linux/Ubuntu)
Dual Gigabit Ethernet	8111H+8111H

## I/O Interfaces

Power Input 1	1*DC 12V/5525 Standard Jack	VGA	1*VGA
Power Input 2	1*DC 9-36V/5.08mm Phoenix Terminal (Optional)	HDMI	1*HDMI
USB	2*USB3.0、2*USB2.0	WIFI	1*WIFI2.4G+5G
COM	2*RS232	BT	1*Antenna
LAN Ports	2*10/100/1000M	Audio	2x 3.5mm Standard Ports (Audio Out & Mic In)

## Environmental Parameters

Vibration Resistance	5-19Hz/1.0mm Amplitude 19-200Hz/1.0g Acceleration	Operating Temperature	-10°C ~ 60°C
Shock Resistance	10g Acceleration, 11ms Cycle	Storage Temperature	-20°C ~ 70°C
Backlight Lifespan	50000h	Operating Humidity	≤95% (Non-condensing)
Protection degree	front panel IP65	Power Consumption	≈ 35W

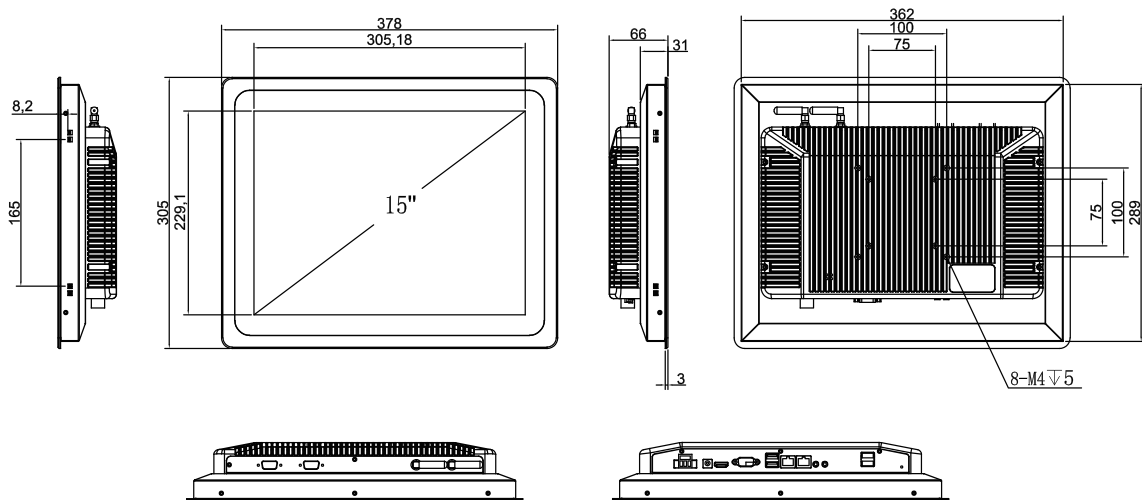
## Physical Characteristics

Dimensions	378*305*66mm	Material	High-quality Aluminum Alloy Body with Metal Structure
Opening Dimensions	362*289mm	Installation Methods	Embedded / Wall-mounted / Foldable Stand / Arm-mounted
Packing dimension		Weight	

## Accessories

Power Cord	1*Power Cord 1.2M	Certificate of Conformity	1*Certificate of Conformity
Adapter	1*Adapter 1.2M (12V 5A)	Warranty Card	1*Warranty Card

## Technical drawing



## Order Information

Product Model	CPT-150P-KBCBZ01
Product Description	15 inches X86 All-in-One Computer/Embedded/Black/Capacitive touch/1024*768/YS-J4125-4G+64G/2*RS232/2*USB